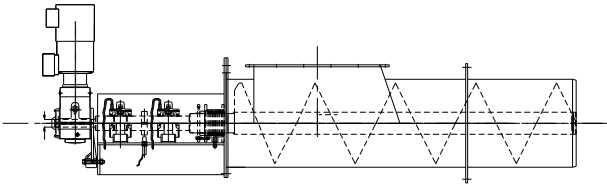
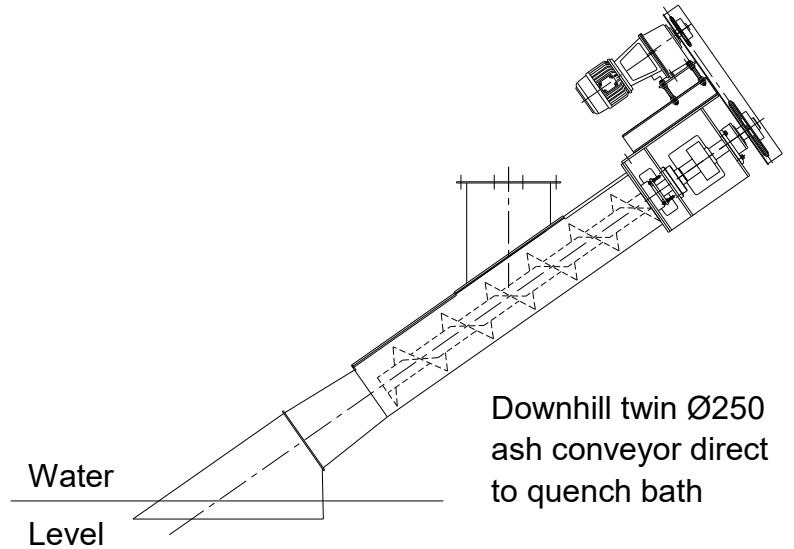


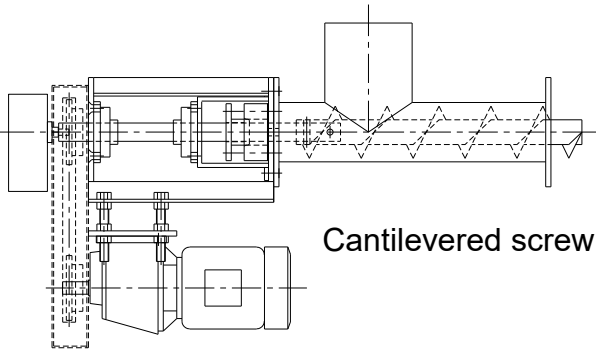
### Specialist Screw Conveyors



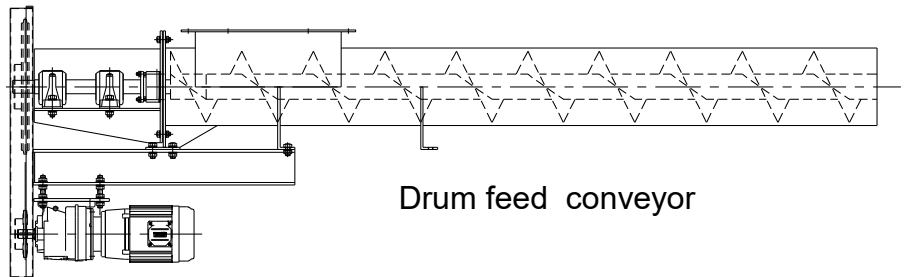
Ø475 Cantilevered screw conveyor feeding in to pyrolysis plant, >800°C, fabricated from 310 stainless steel



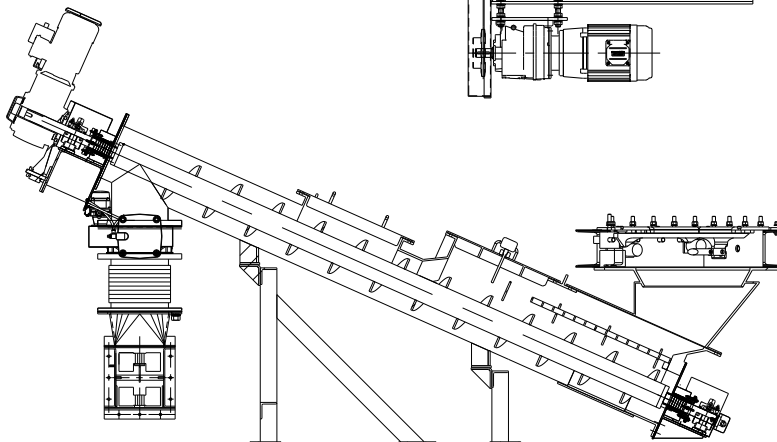
Downhill twin Ø250 ash conveyor direct to quench bath



Cantilevered screw conveyor feeding shredded paper



Drum feed conveyor



Heavy duty screw conveyor collecting hard, unground pyrite from a coal grinding mill with six machines each feeding into a common heavy drag chain conveyor

## Cleeve Materials Handling Limited

Suite 4, Prospect House, Bath Road Trading Estate, Stroud, Glos. GL5 3QF, UK



01453 750085



info@cleevemh.co.uk



http://cleevemh.co.uk